

Layout Plans: WASH Container General

Given layouts and exact container sizes are a suggestion. If dimensions are slightly different, that should not be a problem, as long as the cubicles indicated and the elements are the size requested.

All WASH containers with connection for sewer line and connection for septic tank (under the respective container ; mobile solution, if possible; supplier to suggest drawing, capacity and type of mobile holding tank for each type of container).

All WASH containers with necessary water supply and wastewater elements inside + connections from/to the container to assure sufficient flow rates, pressures and slopes.

All equipment vandalism-proof as much as possible; push-taps and self-closing taps for all taps, except for the cloth washing container.

All taps, showers and water supply equipment needs to be able to disconnected individually, through closing of a gate-valve immediately before reaching the device + at inside the container before distribution.

All shower containers to be equipped with a sufficiently big electric boiler (hot water), and the necessary connections to be able to put a solar water heating system on the container roof later, if and where needed.

To suggest a solar water heating system for all shower containers (mobile but complete unit, that can fit on the container roof and has sufficient capacity for the number of showers /users required) and the cloth washing container.

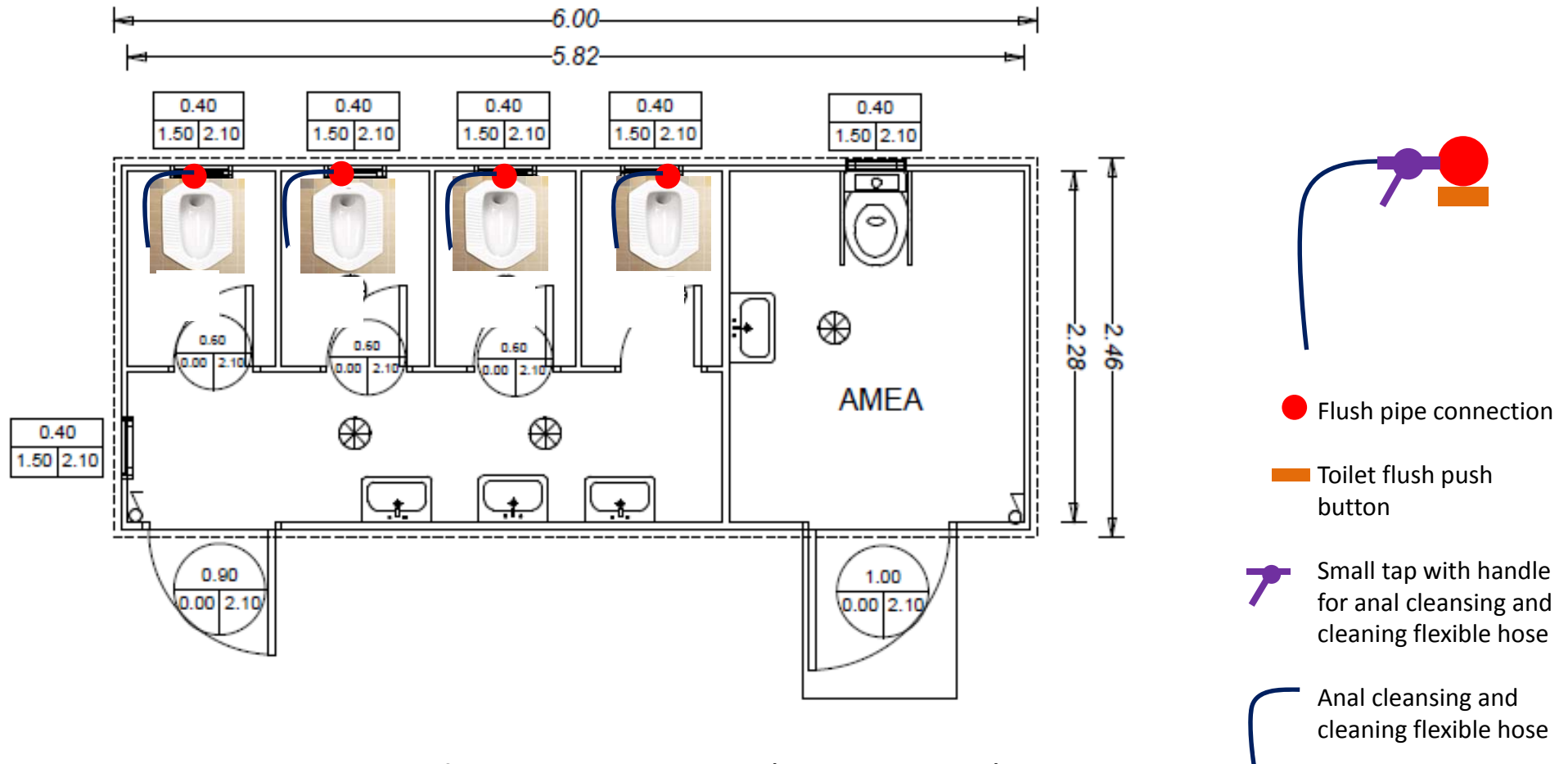
To indicate time required for fabrication for each of the container type (for 1 unit). To indicate for each type of container, the minimum water flow rate, the minimum pressure and the minimum required electrical power required for this container + the details of the connections to the container (material, type, diameters, connection fittings required, etc.).

To indicate the capacity /number of total container units possible to fabricate within 2 weeks, and 1 month.

To indicate for each container type, how many units are available now (ready to be shipped).

To provide layout plans for each of the containers, showing water supply, wastewater and electrical lines/connections.

B) Layout Plan: WASH Prefab Toilet Container, 4 toilets turkish squat + 1 handicapped sitting bowl

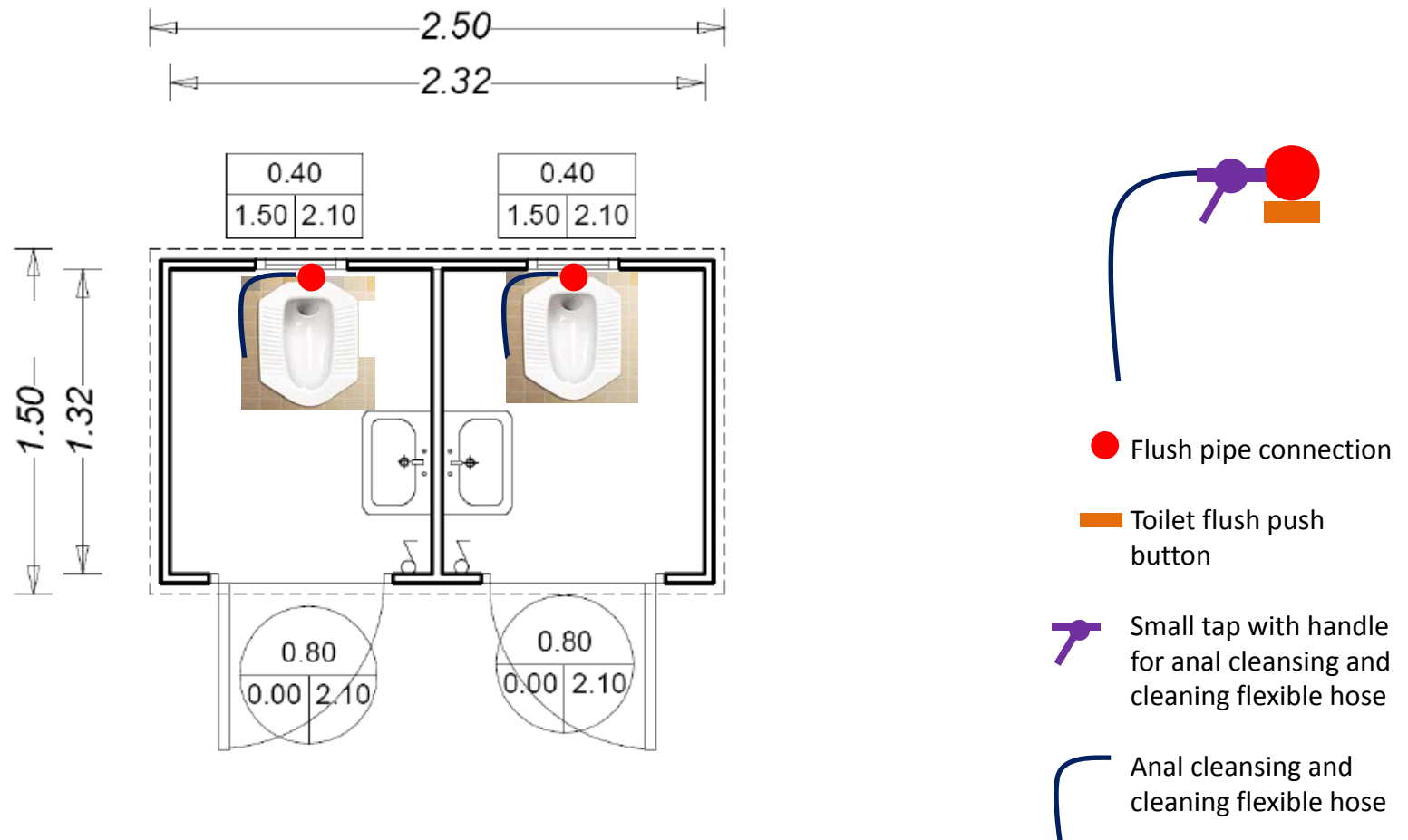


4 turkish squat toilets; 1 normal toilet for handicapped; 2 entrances (4 stances, 1 stances).

Each of the 4 stance/cubicle have water connection with flexible hose for anal cleansing; no floor drains; floor slope towards toilet.

Toilet flushing with solid push button (vandalism proof). Push taps or self-closing taps at the sinks (vandalism proof).

C) Layout Plan: WASH Prefab Toilet Container, 2 toilets turkish squat

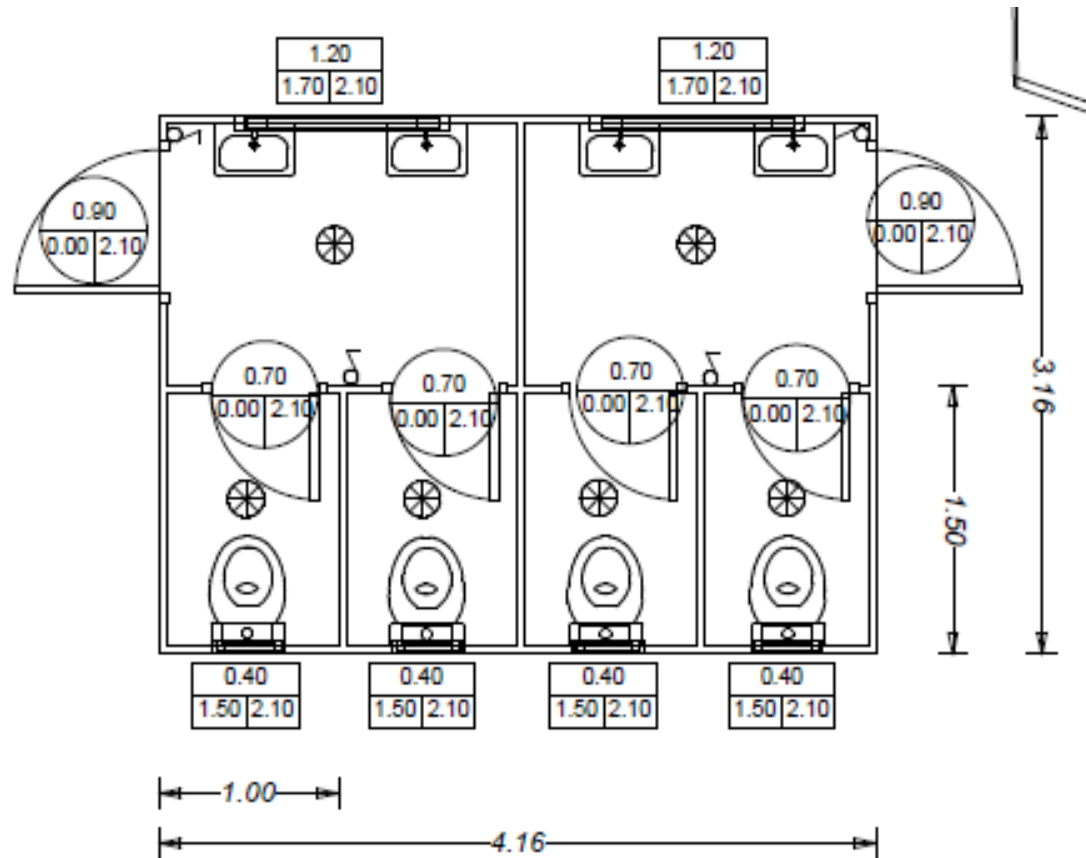


2 turkish squat toilets; 2 entrances.

Each of the 2 stance/cubicle have water connection with flexible hose for anal cleansing; no floor drains; floor slope towards toilet.

Toilet flushing with solid push button (vandalism proof). Push taps or self-closing taps at the sinks (vandalism proof).

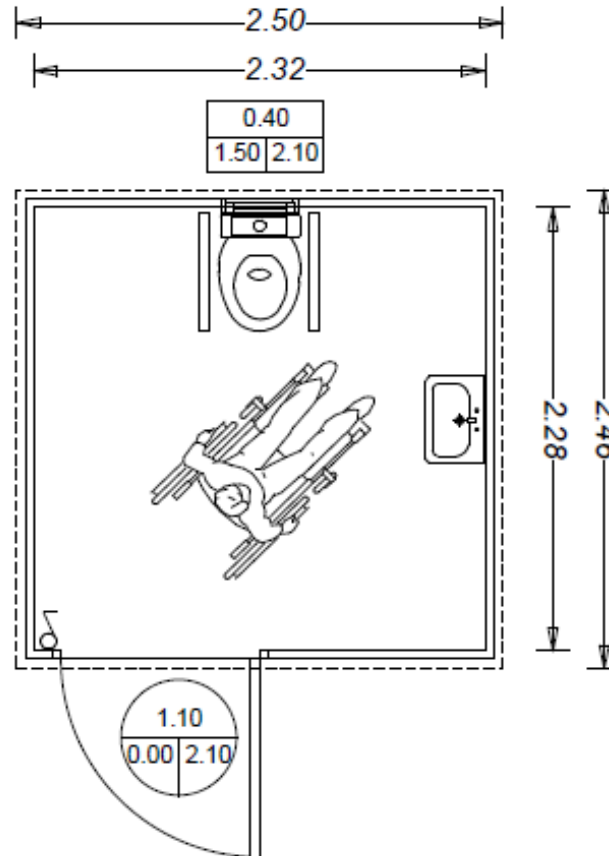
D) Layout Plan: WASH Prefab Toilet Container, 4 toilets normal



4 normal sitting bowl toilets with plastic ring + plastic cover.

Toilet flushing with solid push button (vandalism proof). Push taps or self-closing taps at the sinks (vandalism proof).

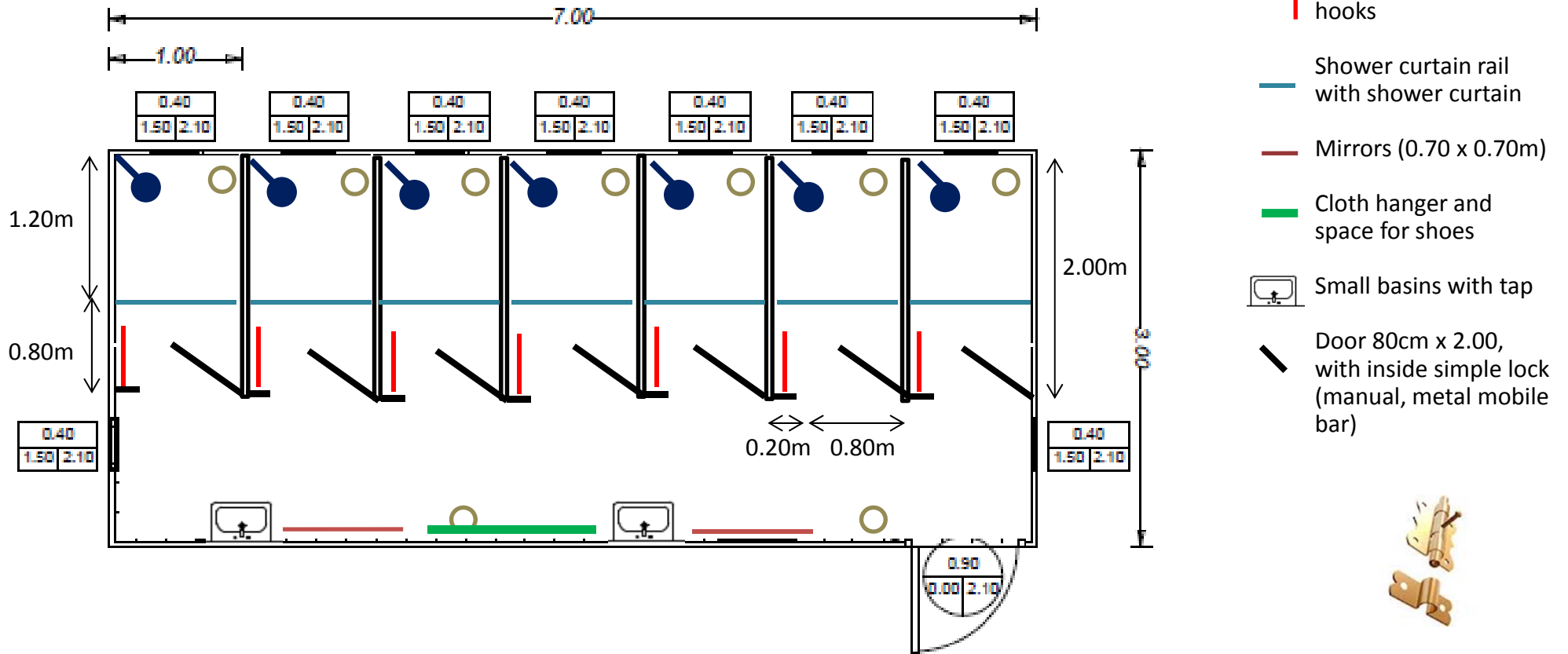
E) Layout Plan: WASH Prefab Toilet Container, 1 handicapped sitting bowl



1 normal sitting bowl toilets with plastic ring + plastic cover.

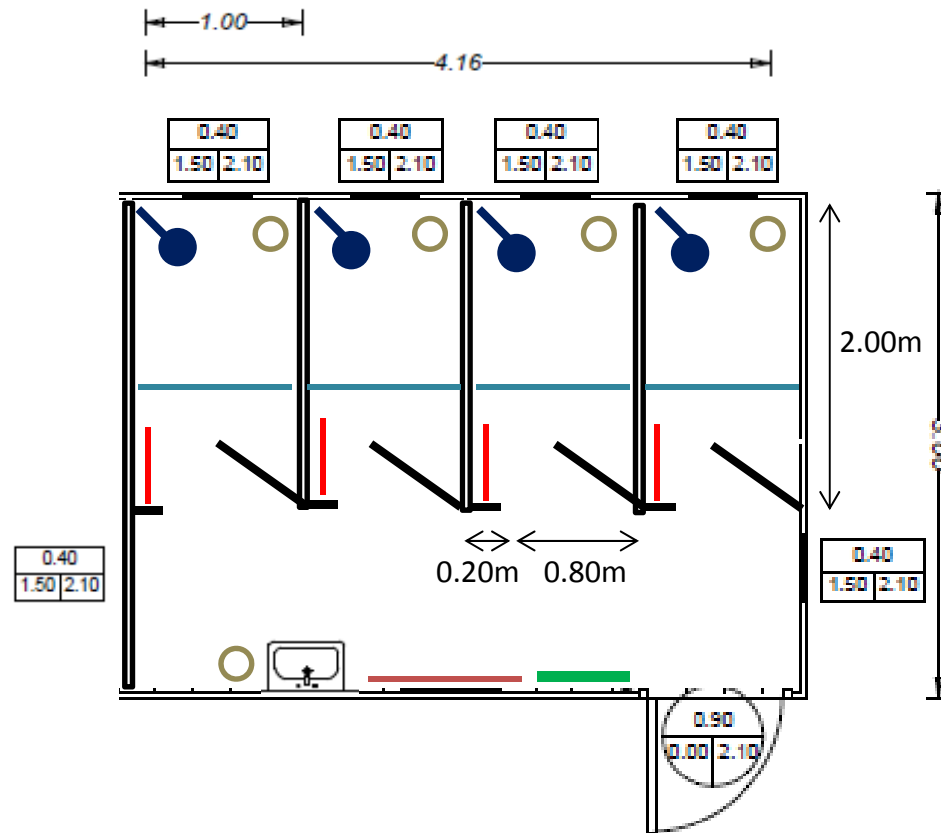
Toilet flushing with solid push button (vandalism proof). Push taps or self-closing taps at the sinks (vandalism proof).









F) Layout Plan: WASH Prefab Shower Container, 7 showers with hot water



7 showers cubicles with space for cloth hanging and changing; cloth hangers in each shower cubicle (50cm width total) with 5 hooks
 Shower with push buttons (vandalism proof) + fixed shower hose (on wall/ceiling); no flexible shower hose; with shower curtains
 All showers do have hot water (1 central electrical boiler and possibility for connecting solar water heating system).
 Floor tiled/or robust smoot surface (non-slipping); 1 level floor with slope inside shower towards floor drain !; no steps/level changes !

G) Layout Plan: WASH Prefab Shower Container, 4 showers with hot water

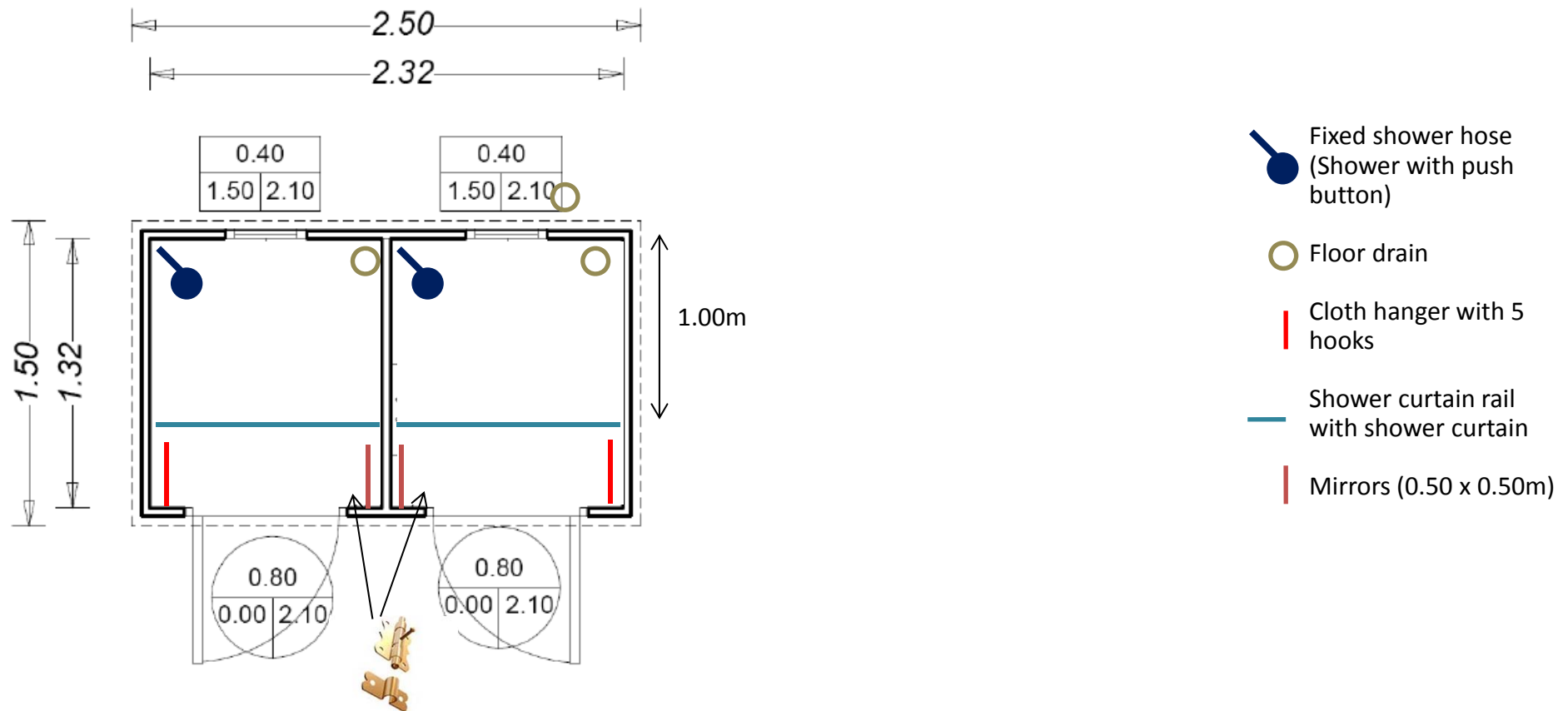


-  Fixed shower hose (Shower with push button)
-  Floor drain
-  Cloth hanger with 5 hooks
-  Shower curtain rail with shower curtain
-  Mirrors (0.70 x 0.70m)
-  Cloth hanger and space for shoes
-  Small basins with tap
-  Door 80cm x 2.00, with inside simple lock (manual, metal mobile bar)



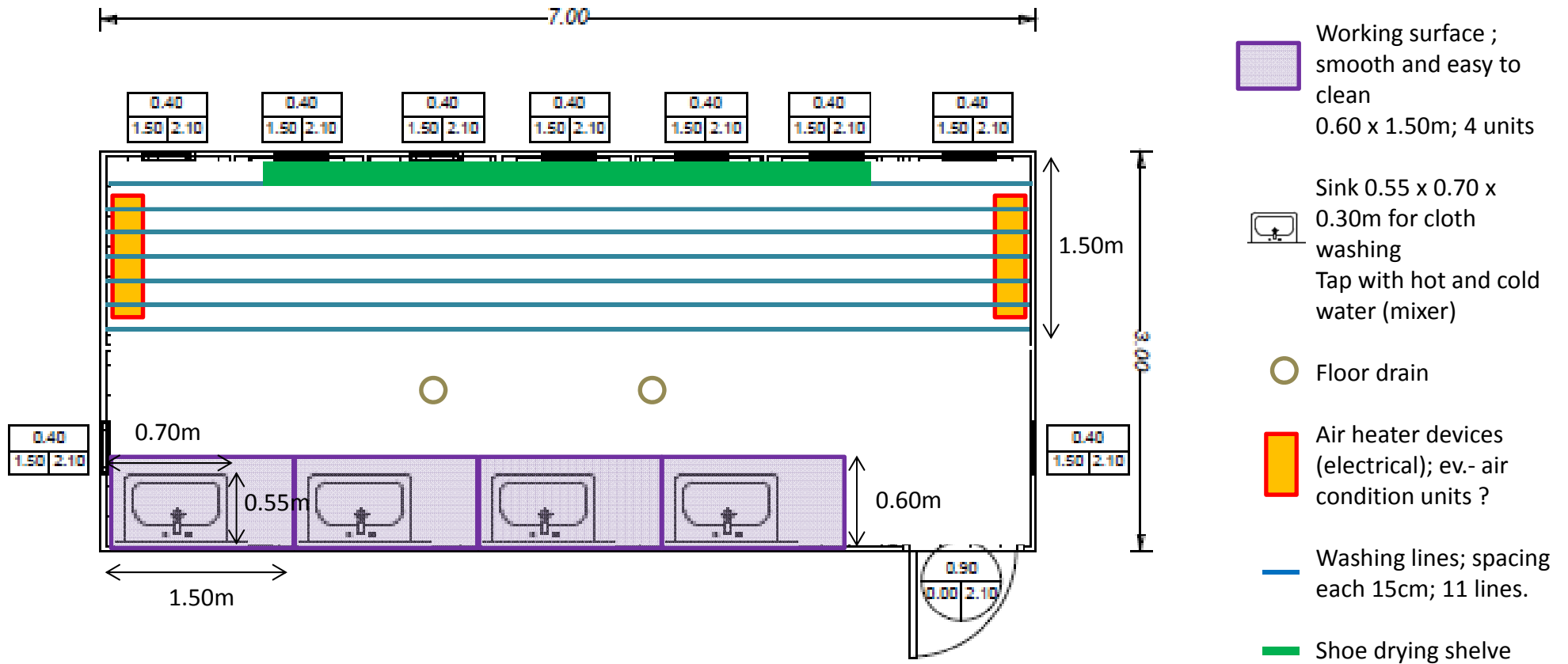
**4 showers cubicles with space for cloth hanging and changing; cloth hangers in each shower cubicle (50cm width total) with 5 hooks
Shower with push buttons (vandalism proof) + fixed shower hose (on wall/ceiling); no flexible shower hose; with shower curtains
All showers do have hot water (1 central electrical boiler and possibility for connecting solar water heating system).
Floor tiled/or robust smoot surface (non-slipping); 1 level floor with slope inside shower towards floor drain !; no steps/level changes !**

H) Layout Plan: WASH Prefab Shower Container, 2 showers with hot water



2 showers cubicles with space for cloth hanging and changing; cloth hangers in each shower cubicle (50cm width total) with 5 hooks
Shower with push buttons (vandalism proof) + fixed shower hose (on wall/ceiling); no flexible shower hose; with shower curtains
All showers do have hot water (1 central electrical boiler and possibility for connecting solar water heating system).
Floor tiled/or robust smoot surface (non-slipping); 1 level floor with slope inside shower towards floor drain !; no steps/level changes !

I) Layout Plan: WASH Prefab Cloth Washing/Drying Container



4 cloth washing stations (big sinks, 0.30m deep with mobile PVC pipe for outlet closing); taps hot and cold water (mixing tap).

Drying lines for cloths (11 x 7m) ; Drying areas for shoes (1 x 5m)

Air heaters for drying (2 units).